

Australia – Victoria
No. 308 – 2020
PORT OF MELBOURNE
SWANSON DOCK EAST
NEW TRELLEBORG BERTHING AIDS INSTALLATION WORKS

Date: 05 November 2020

Refers: NA

Details: Port users are advised that installation of new Trelleborg Berthing Aids at Swanson Dock East, positioned at chainage 676m and 720m is expected to be commissioned by approximately 20 November 2020.

For more information, contact Melbourne VTS on 9644 9700.

**Mariners are advised to navigate with caution in the vicinity of the works.
Vessels berthing at Swanson Dock East to exert caution whilst berthing.**

**Charts &
Publications**

affected: AUS 154

Further notice: No further notice will be issued.



Roy Stanbrook
Acting Harbour Master
(as Kell Dillon on leave)



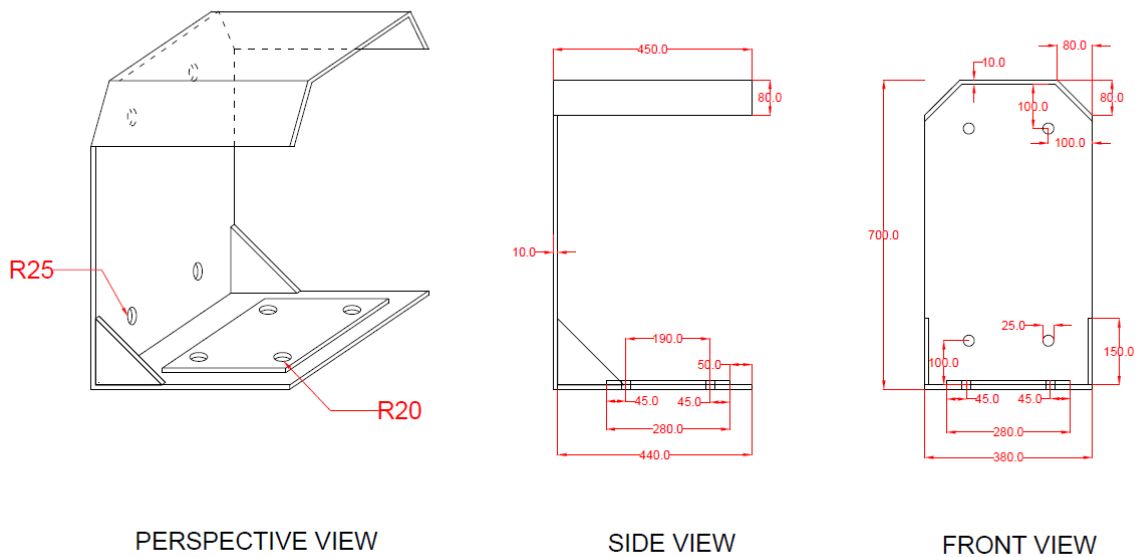
This notice is a direction of the Harbour Master pursuant to section 232 of the *Marine Safety Act 2010* (Vic)
The requirements of section 232(2) have been taken into account.

Victorian Notices to Mariners can be downloaded from the Victorian Ports Corporation (Melbourne) website
www.vicports.vic.gov.au



This notice is a direction of the Harbour Master pursuant to section 232 of the *Marine Safety Act 2010* (Vic)
The requirements of section 232(2) have been taken into account.

Victorian Notices to Mariners can be downloaded from the Victorian Ports Corporation (Melbourne) website
www.vicports.vic.gov.au



This notice is a direction of the Harbour Master pursuant to section 232 of the *Marine Safety Act 2010* (Vic)
 The requirements of section 232(2) have been taken into account.

Victorian Notices to Mariners can be downloaded from the Victorian Ports Corporation (Melbourne) website
www.vicports.vic.gov.au